

Item No.	Part No.	No. Used	Description	Item No.	Part No.	No. Used	Description
1	322566-3	1	Screw Seal	56	331416-1	1	Sleeve 25
2	211256-2	1	Ball Bearing 6203LLB	57	962301-3	1	Retaining Ring R-62
3	267706-5	1	Washer 17	58	922331-6	4	Hex. Socket Head Bolt M6x20
4	514990-6	1	Armature Assy (Includes Items 1-3, 5 & 6)	59	941152-7	4	Flat Washer 6
5	681646-7	1	Insulation Washer (Old 681635-2)	60	414788-0	1	Motor Housing Cover
6	211066-7	1	Ball Bearing 6200LLB	61	322476-4	1	Connecting Rod
7	213406-5	1	O Ring 30	62	213469-1	1	O Ring 35
8	159530-9	1	Motor Housing B Com. (Includes 2 X 643711-0 - Brush Holder, 2 X 414665-6 Set Ring & Item 7)	63	268061-8	1	Pin 15 (Old 257653-8 -Sleeve 8)
9	191957-7	2	Auto Cut-Off Carbon Bush CB-204	64	322480-3	1	Piston Cylinder
10	643710-2	2	Brush Holder Cap 7-18	65	213666-9	1	O Ring 52
11	941151-9	4	Flat Washer 6	66	322563-9	1	Striker
12	265914-2	4	Hex. Socket Head Bolt M6x25 (With Adhesive)(Old 922341-3)	67	262050-5	1	Rubber Ring 54
13	*	1	Fan 100	68	322548-5	1	Cylinder B
14	*	1	Spring Washer 8/Flat Washer 8	69	213660-1	1	O Ring 53
15	*	1	Hex. Lock Nut M8-13/Hex Nut M8	70	922677-0	4	Hex. Socket Bolt M12x55
16	265344-7	2	(+) Hex. Bolt M5x85	71	942301-9	4	Spring Washer 12
17	624951-9	1	Field	72	316313-2	1	Cylinder A
18	414787-2	1	Motor Housing A	73	213805-1	1	O Ring 85
19	212358-7	1	Needle Bearing 2520	74	322560-5	2	Retainer Ring
20	254001-2	2	Woodruff Key 4	75	233083-7	2	Compression Spring 12
21	213507-9	1	O Ring 40	76	322477-2	2	Tool Retainer Pole
22	256151-9	1	Pin 5	77	256219-1	2	Pin 4
23	159531-7	1	Gear Housing Com. (Includes Items 21 & 29)	78	*	1	Tool Retainer
24	211209-1	1	Ball Bearing 6202	79	*	1	Tool Retainer Shaft
25	254001-2	2	Woodruff Key 4	80	951272-9	2	Spring Pin 8-40
26	226251-9	1	Spur Gear 22	81	265989-1	4	Hex. Socket Bolt M12x45
27	211361-5	1	Ball Bearing 6305LLB	82	253989-3	4	Spring Washer 12
28	213476-4	1	Oil Seal 35	83	322551-6	1	Tool Holder 29
29	213721-7	1	O Ring 61	84	213755-0	1	O Ring 75
30	213806-9	2	O Ring 90	85	213517-6	1	X Ring 40
31	152414-0	1	Crank Shaft Com. (Includes 1 X 216104-0 - Inner Race 2020)	86	322564-7	1	Impact Bolt
32	159658-3	1	Crank Housing Com.	87	213667-7	1	O Ring 60
33	213806-9	1	O Ring 90	88	322549-3	1	Impact Bolt Holder
34	414785-6	1	Crank Housing Cap	89	664290-5	1	Cord With Plug 2P-14-5.0 (SOW)
35	414786-4	1	Cap Cover	90	682547-2	1	Cord Guard 15
36	251390-6	4	(+) P.H. Screw M5x18	91	*	4	Hex. Socket Head Bolt
37	221793-8	1	Helical Gear 50	92	941152-7	4	Flat Washer 6
38	211209-1	1	Ball Bearing 6202	93	*	1	Switch Handle Set
39	922496-4	4	Hex. Socket Head Bolt M8x75	94	*	1	Handle Base
40	*	1	Rubber Sleeve 8	95	*	1	Compression Spring
41	251389-1	1	(+) Countersunk Head Screw M8x	96	953106-2	4	Rivet 0-5
42	*	1	Handle Base	98	922356-0	3	Hex. Socket Head Bolt M6x35
43	414807-2	1	Side Handle	99	316312-4	1	Rear Case
44	941152-7	4	Flat Washer 6	100	256151-9	1	Pin 5
45	922341-3	4	Hex. Socket Head Bolt M6x25	102	687066-3	1	Strain Relief
46	254001-2	2	Woodruff Key 4	103	265999-8	2	Tapping Screw, Flange, 4x25
47	931602-0	2	Hex. Nut M12	104	*	1	Switch Handle Set (Old 414946-8)
48	942301-9	2	Spring Washer 12	105	*	3	P.H. Screw M5x28
49	941301-6	2	Flat Washer 12	108	651131-4	1	Switch AC/DC
50	322565-5	1	Handle Shaft	109	*	1	Switch Lever
51	415148-9	2	Nylon Bush 15	110	*	1	Dust Cover
52	*	1	Gear Housing Cover	111	341397-1	1	Plate 50
53	211214-8	1	Ball Bearing 6302	112	442009-0	1	Packing 50
54	961060-6	1	Retaining Ring S-20	113	911211-1	4	P.H. Screw M5x12
55	226242-0	1	Spur Gear 47	114	*	1	Cushion Rubber
				115	*	4	Tapping Screw 4X18
				116	*	1	Tapping Screw 4X18
				117	*	1	Handle (Type 2)
				118	*	1	Dust Plate (Type 2)
				119	*	1	Pin
				120	*	1	Support

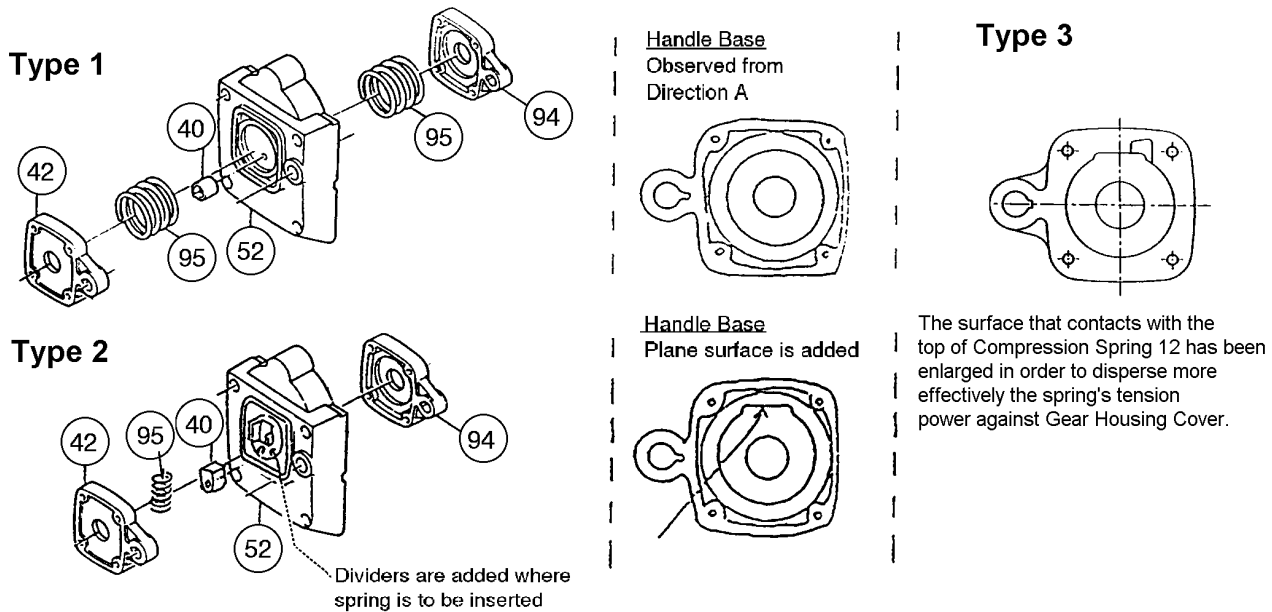
* SEE SERVICE CHANGES

Item No.	Part No.	No. Used	Description	Item No.	Part No.	No. Used	Description
121	*	1	Tapping Screw 4X18	A05	A-90582	1	Hammer Grease 30cc
122	*	1	Handle Sub Base (Type 2)	A06	751420-A	1	Moil Point
200	652014-1	4	P.H. Screw M4x8	A07	751220-A	1	Narrow Chisel
201	652252-5	4	Clamp Washer	A08	751221-A	1	3" Chisel
202	654002-4	2	Terminal 1.25-M4	A09	751222-A	1	Keen Cut Chisel
203	654005-8	2	Terminal 2-M4	A10	751620-A	1	5" Asphalt Cutter
Accessories				A11	751621-A	1	3" Digging Chisel
A01	783203-8	1	Hex. Wrench 5	A12	751622-A	1	5-1/2" Clay Spade
A02	783204-6	1	Hex. Wrench 6	A13	751223-A	1	Frost Wedge
A03	783207-0	1	Hex. Wrench 10	A14	751103-A	1	Tamper Shank
A04	122010-A	1	Hammer Cart	A15	751710-A	1	6" Tamper Plate
	INC. R8321	1	8" Semi-Pneumatic Wheel		751711-A	1	8" Tamper Plate
	INC. 963	1	Cotter Pin				
	INC. 3108	1	AXLE				

* SEE SERVICE CHANGES

SERVICE CHANGES

1. Change on Compression Spring, Gear Housing Cover, etc.,

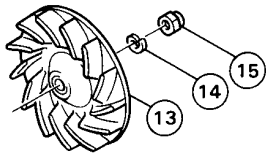


Item No.	Description	Type 1	Type 2	Type 3
40	Rubber Sleeve 8	262526-2	262538-5	
42	Handle Base	322481-1	322847-5	324062-7
94		(No Longer Available)		
52	Gear Housing Cover	316311-6 (No Longer Available)	316792-4	
95	Compression Spring	233051-0- Size 46	233149-3- Size 12	
	Serial No.	N/A	N/A	18055E ~

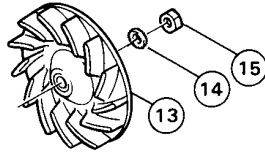
Above parts are completely interchangeable as a set.

2. Change on Fan, Nut and Washer.

Type 1



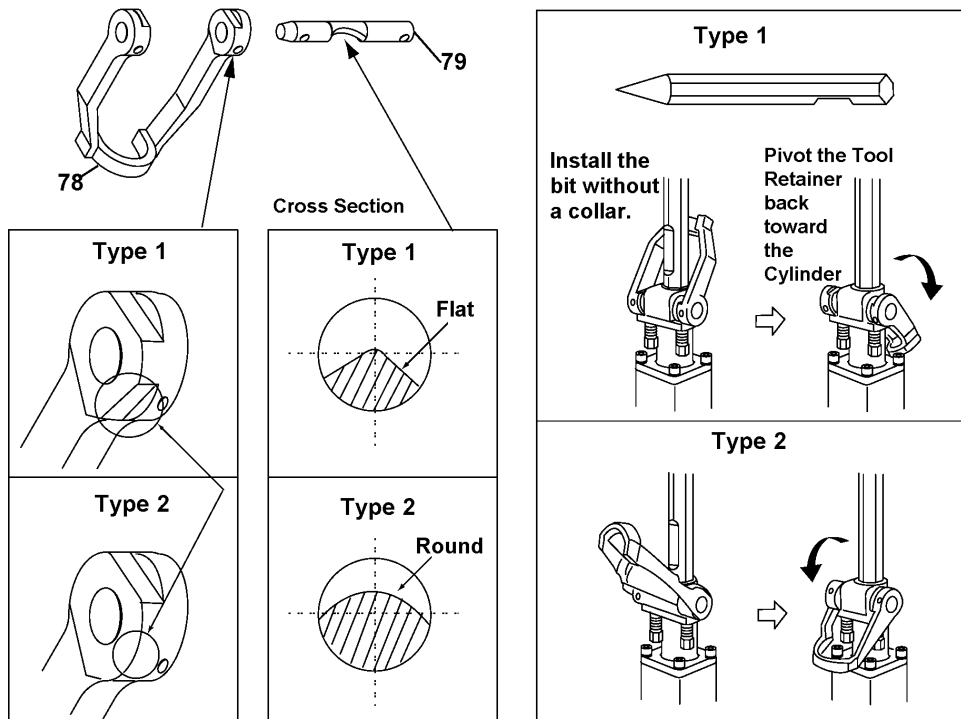
Type 2



Item No.	Description	Type 1	Type 2
13	Fan 100	241854-8 (No Longer Available)	240024-6
14	Spring Washer 8 / Flat Washer 8	942201-3	253165-9
15	Hex Lock Nut M8-13/Hex Nut M8	252105-4	931402-8
	Serial No.	~ 13058E	13059E ~

Above parts are completely interchangeable as a set.

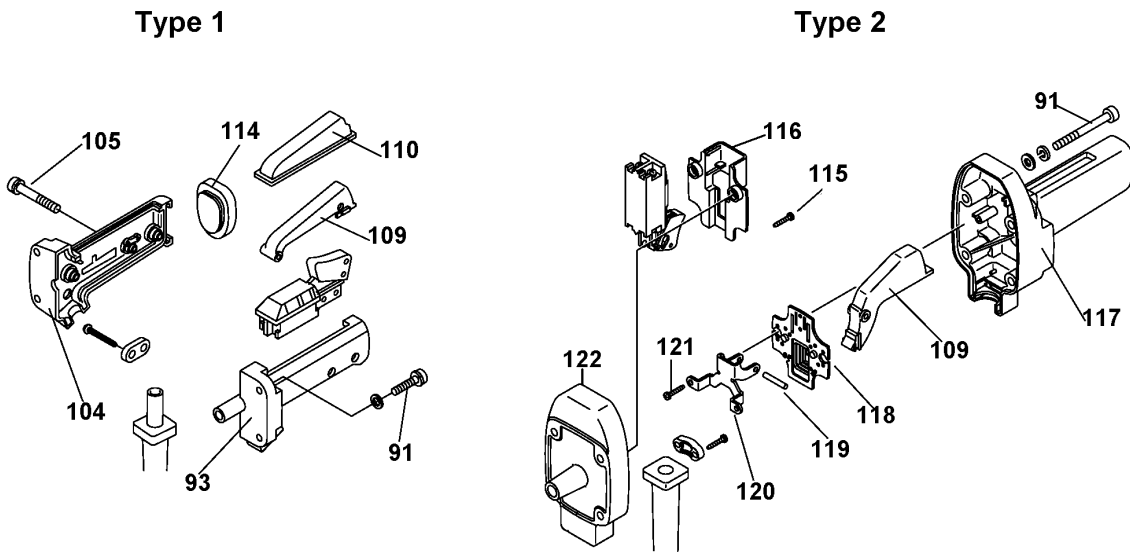
3. Change of Tool Retainer and Tool Retainer Shaft.



Item No.	Description	Type 1	Type 2
78	Tool Retainer	322478-0	324236-0
79	Tool Retainer Shaft	322550-8	324238-6
	Serial No.	~ 22458E	22459E ~

Above parts are completely interchangeable as a set.

3. Change on Handle etc.



Item No.	Description	Type 1	Type 2
91	Hex Socket Head Bolt	922341-3 (M6X25)	922381-1 (M6X60)
93	Handle Set	182553-2	-----
104			-----
105	P.H. Screw M5X28	911248-8	-----
109	Switch Lever	414046-4	418332-5
110	Dust Cover	421330-0	-----
114	Cushion Rubber	421484-3	-----
115	Tapping Screw 4X18	-----	265995-6 (2pcs)
116	Switch Cover	-----	418331-7
117	Handle	-----	418333-3
118	Dust Plate	-----	421850-4
119	Pin 4	-----	256206-0
120	Support	-----	345355-9
121	Tapping Screw 4X18	-----	265995-6 (2pcs)
122	Handle Sub Base	-----	418334-1
	Serial No.	~ Mar 2003 Production	April 2003 Production ~

Above parts are completely interchangeable as a set.